

LUXPOWER® SERIES **N**5



470-490W Mono

120 Half-Cell Layout
M10/182mm N-TOPCon Cell



LECO N-TOPCon Cell Technolog



Half Cut Cell Technology



SMBB Technology



Excellent Anti-PID Low LID Performance

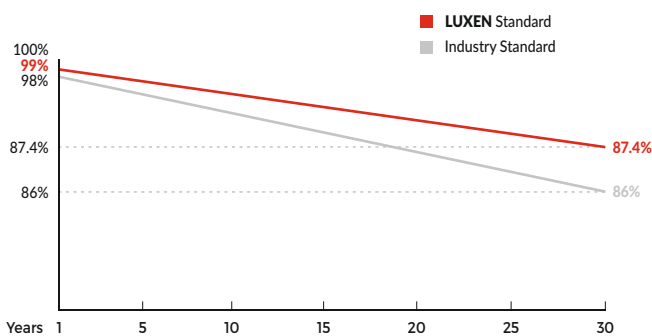


Less Hot Spot Shading Effects



Higher Power Output Lower BOS & LCOE

Linear performance Warranty



Comprehensive Certificates

- ISO9001:2015 QMS
- ISO14001:2015 EMS
- ISO45001:2018 OHSMS
- IEC61215/IEC61730 Standard Quality
- IEC61701/IEC62716 Salt/Mist/Ammonia Tests



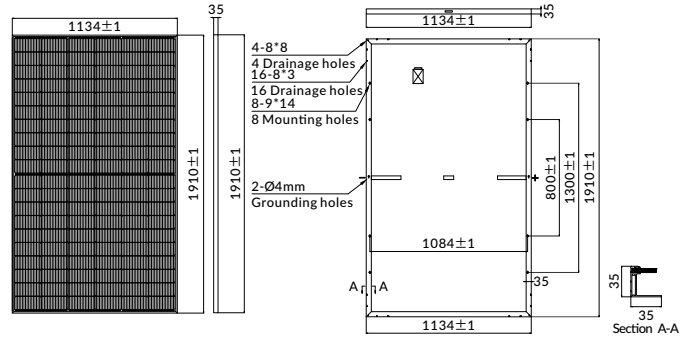
LUXEN SOLAR ENERGY CO., LTD.

Operational HQ: Vienna Technology Center, Christine-Touaillon-Strasse 11/2.01, 1220 Vienna, Austria
Production HQ: No.1, Haiyue Road, Nantong, Jiangsu, 226000, China
europe@luxensolar.at

www.luxensolar.com

MECHANICAL CHARACTERISTICS

Solar Cells	N-type Mono
No. of Cells	120 (6x20)
Dimensions	1910 x 1134 x 35mm
Weight	23.0kg
Front Glass	3.2mm coated tempered glass
Frame	Anodized aluminium alloy
Junction Box	Ip68 rated (3 by pass diodes)
	4.0mm ²
Output Cables	300mm (+) / 300mm (-)
	Length can be customized
Connectors	Mc4 compatible
Mechanical load test	5400Pa



ELECTRICAL PARAMETERS

POWER CLASS	LNVK-470N		LNVK-475N		LNVK-480N		LNVK-485N		LNVK-490N	
	STC	NMOT	STC	NMOT	STC	NMOT	STC	NMOT	STC	NMOT
Maximum power (Pmax)	470W	353W	475W	357W	480W	361W	485W	365W	490W	369W
Open Circuit Voltage (Voc)	42.85V	40.81V	43.06V	40.99V	43.27V	41.17V	43.48V	41.35V	43.68V	41.52V
Short Circuit Current (Isc)	14.05A	11.32A	14.12A	11.38A	14.19A	11.44A	14.26A	11.50A	14.33A	11.56A
Voltage at Maximum power (Vmpp)	35.82V	32.99V	36.01V	33.18V	36.20V	33.36V	36.38V	33.55V	36.57V	33.73V
Current Maximum Power (Impp)	13.12A	10.70A	13.19A	10.76A	13.26A	10.82A	13.33A	10.88A	13.40A	10.94A
MODULE EFFICIENCY (%)	21.70%		21.93%		22.16%		22.39%		22.62%	

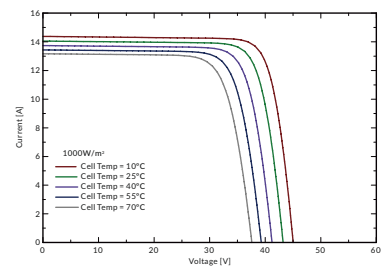
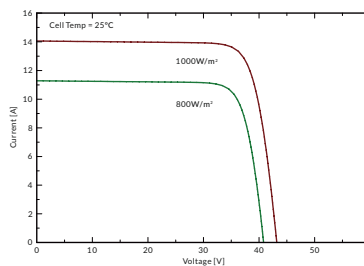
STC: Irradiance 1000W/m², cell temperature 25°C, AM1.5G NMOT: Irradiance 800W/m², ambient temperature 20°C, wind speed 1m/s, AM1.5G

PACKING CONFIGURATION

Container	20'GP	40'HQ
Pieces per pallet	31	31
Pallets per container	6	24
Pieces per container	186	744

I-V CURVE

LNVK-475N/I-V



OPERATING CHARACTERISTICS

Operating Module Temperature	-40°C to +85°C
Maximum System Voltage	1500 DC (IEC)
Maximum Series Fuse Rating	25A
Power Tolerance	0/+5W

TEMPERATURE CHARACTERISTICS

Nominal Operating Temperature (NMOT)	45±2°C
Temperature Coefficient of Pmax	-0.29%/°C
Temperature Coefficient of Voc	-0.25%/°C
Temperature Coefficient of Isc	+0.045%/°C

Note: The specifications, data and technical characteristics provided in this data sheet are subject to changes due to continuous R&D, product innovation and improvement. LUXEN SOLAR reserves the right to modify the information any time without prior notice.